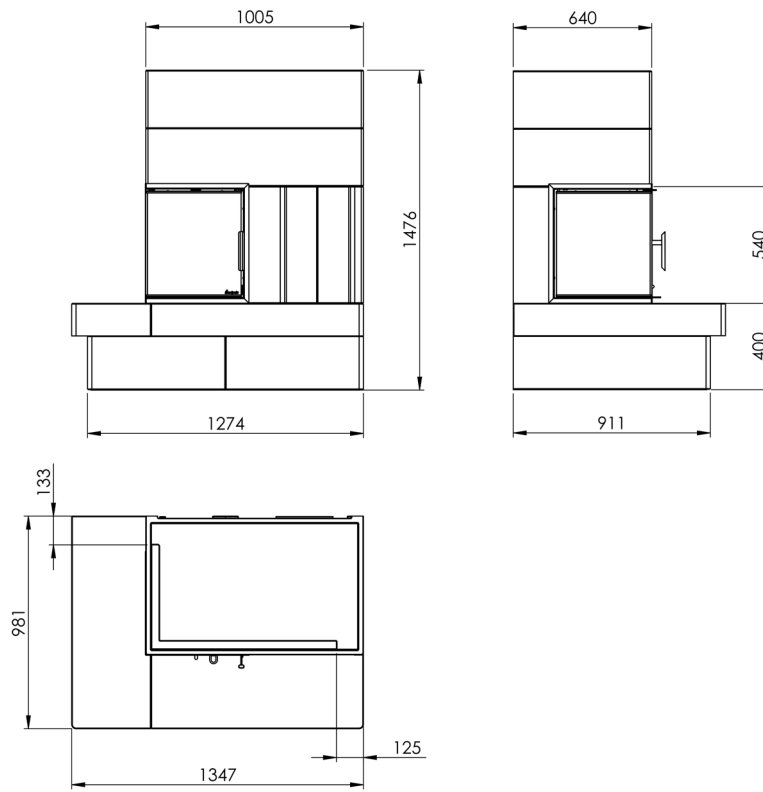


FIG 1A

Denver Left / N-36A =mm



Denver Right / N-36A =mm

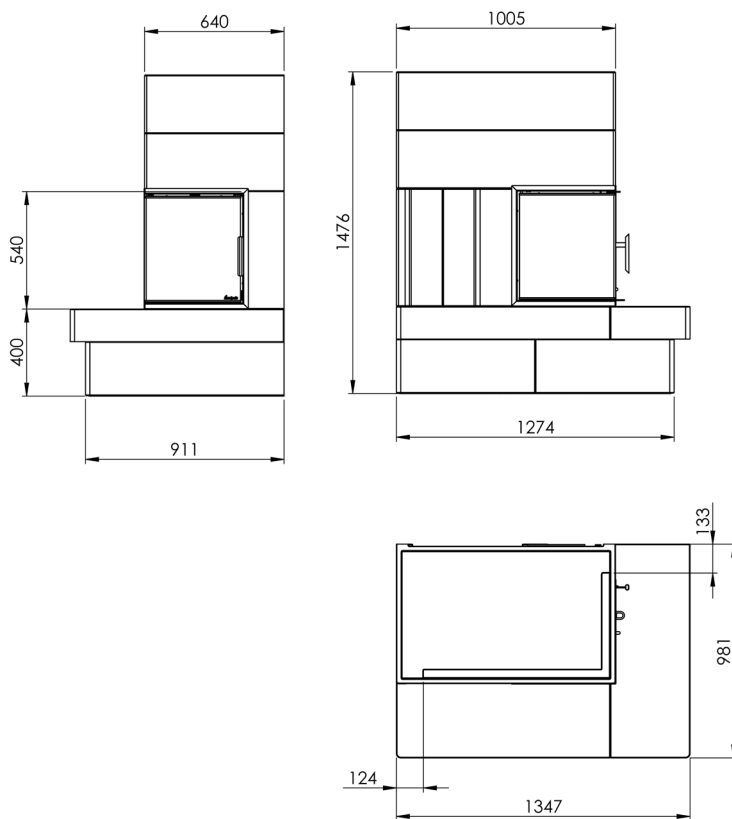
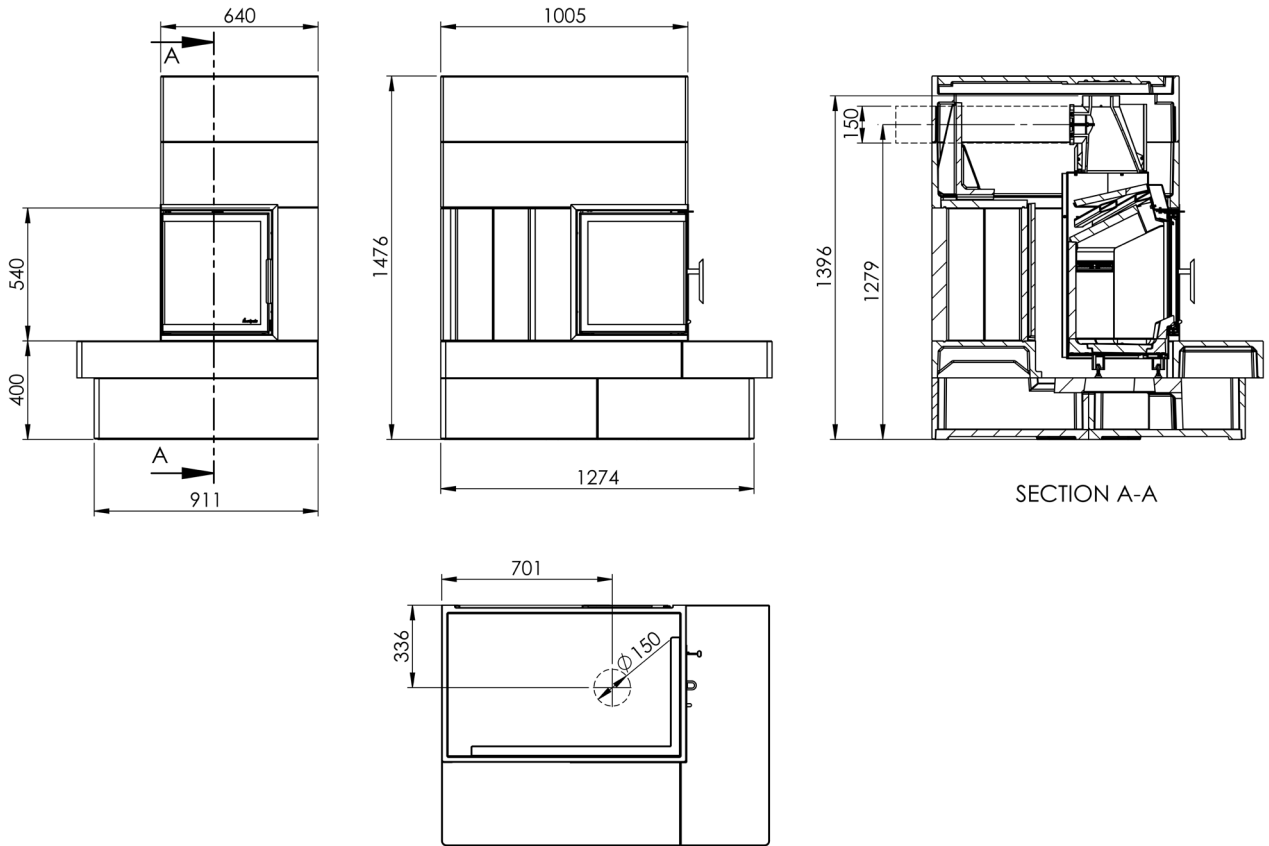


FIG 1B

Chimney connection - Denver / N-36A = mm



Denver Left / Right =mm AIR

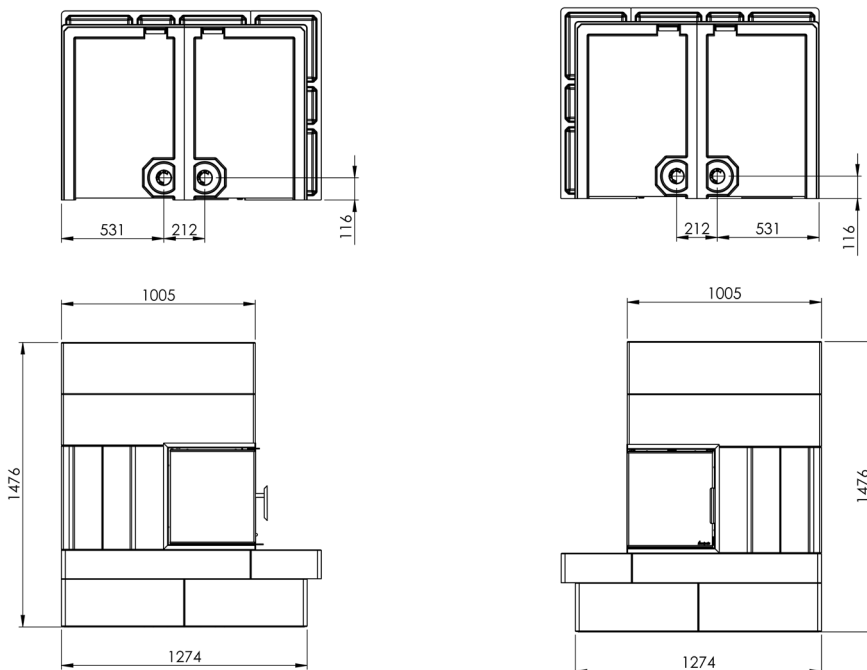

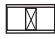


FIG 2

 =Firewall/ Hitzenschutzwand / Mur parfeu / Parete non combustibile

 =Combustible material / Brennbarem Material / Matières combustibles/ Parete combustibile

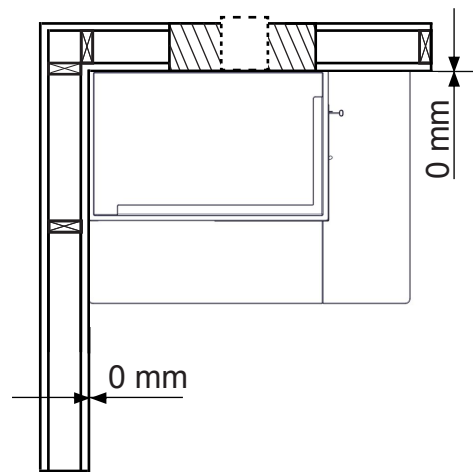
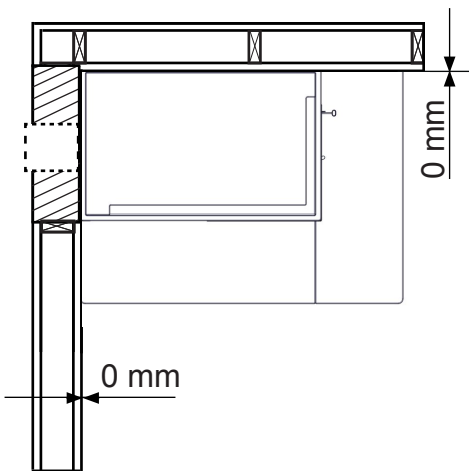
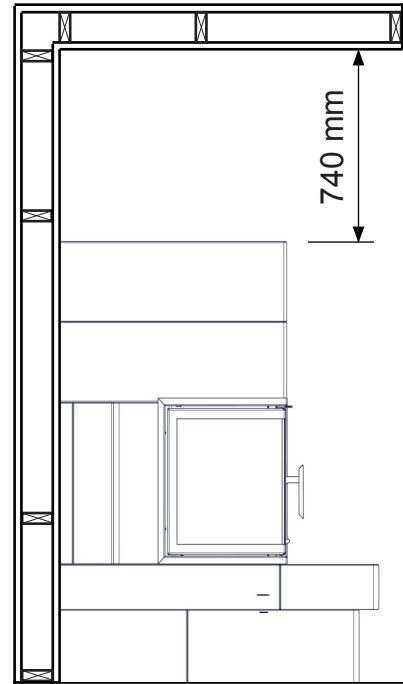
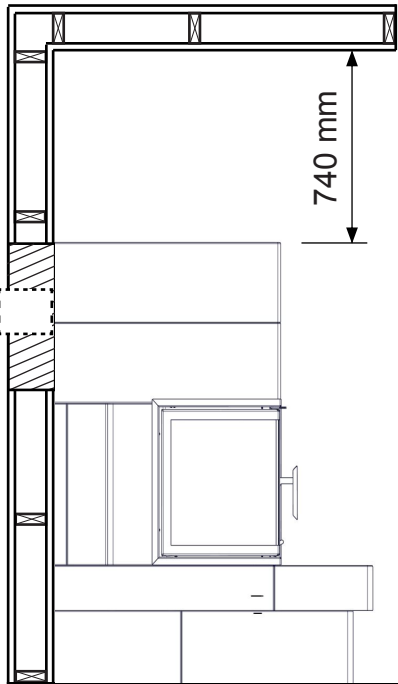


FIG 3-21; 44


FIG 22-29

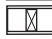


FIG 3-21; 44

FIG 30-37

FIG 2A

 =Firewall/ Hitzenschutzwand / Mur parfeu / Parete non combustibile

 =Combustible material / Brennbares Material / Matières combustibles/ Parete combustibile

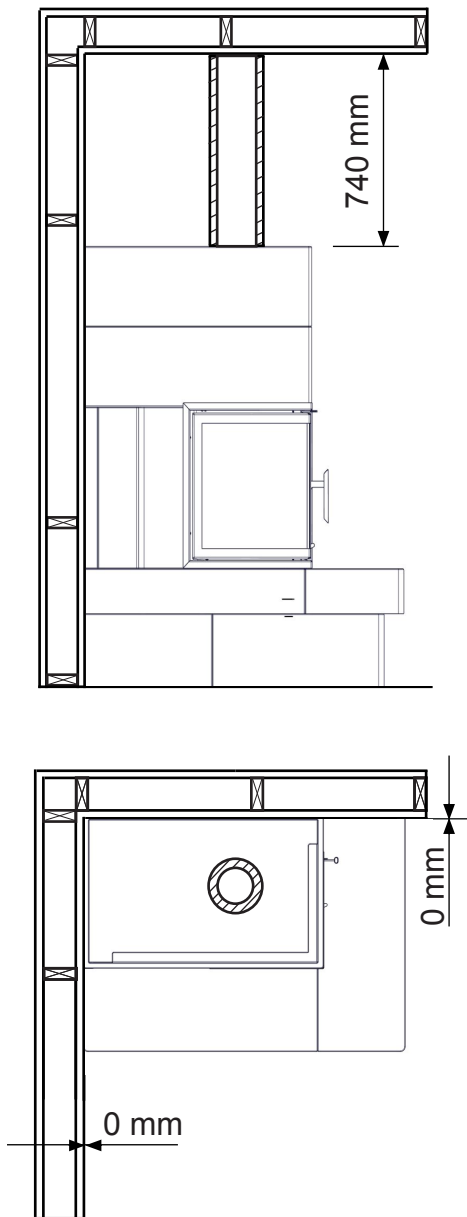


FIG 3-21; 44

FIG 38-43