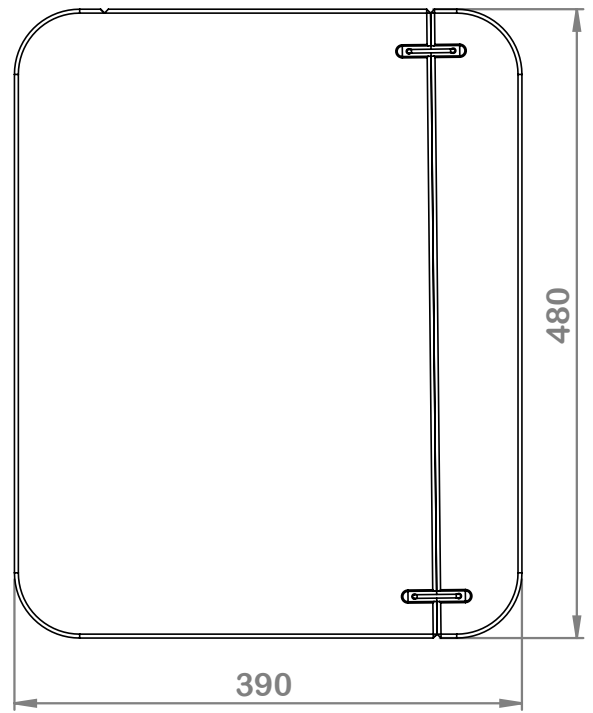
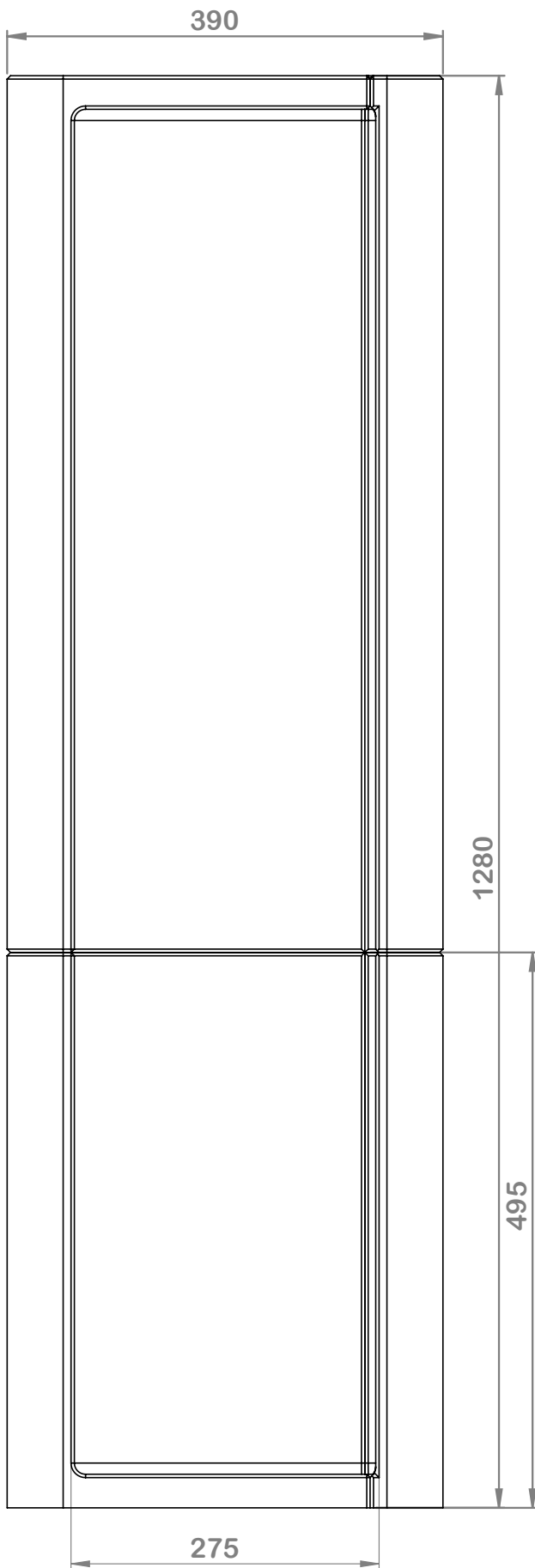


---

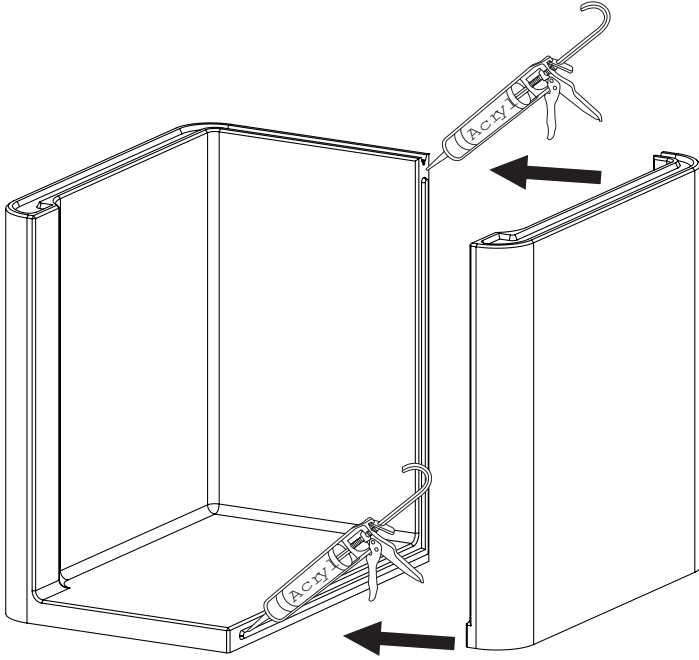
# Cauto woodshelf

---

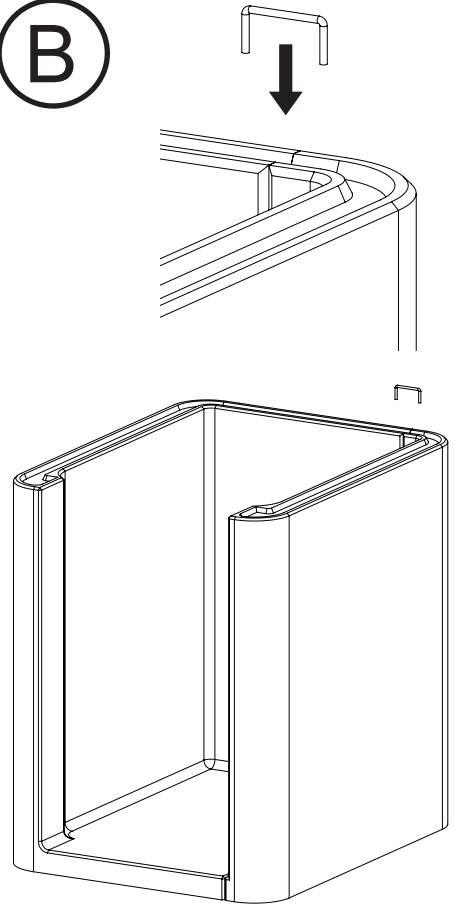
=mm



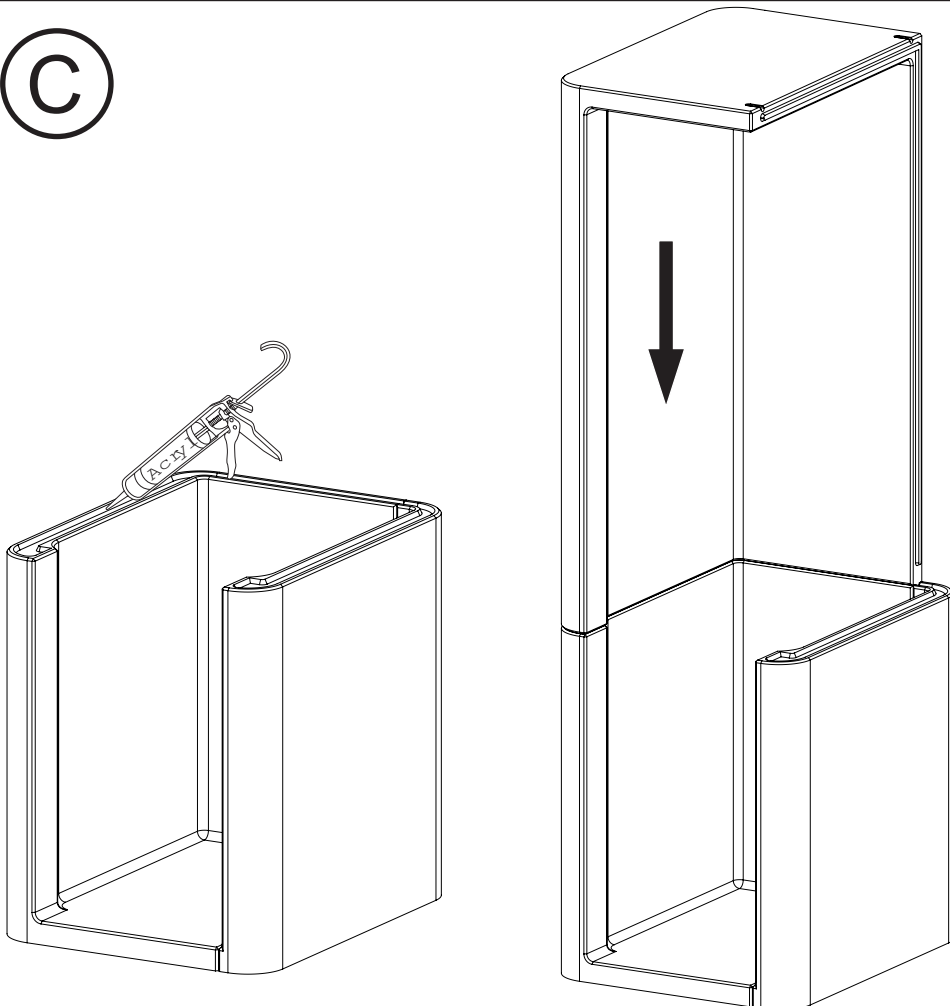
A



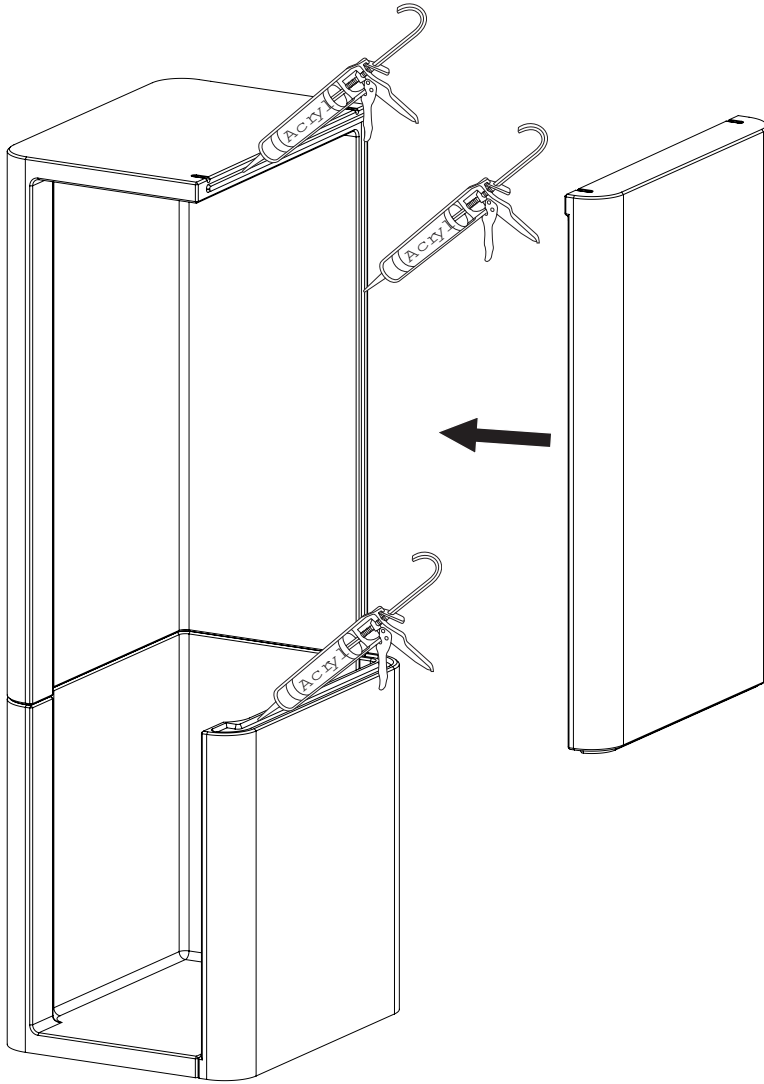
B



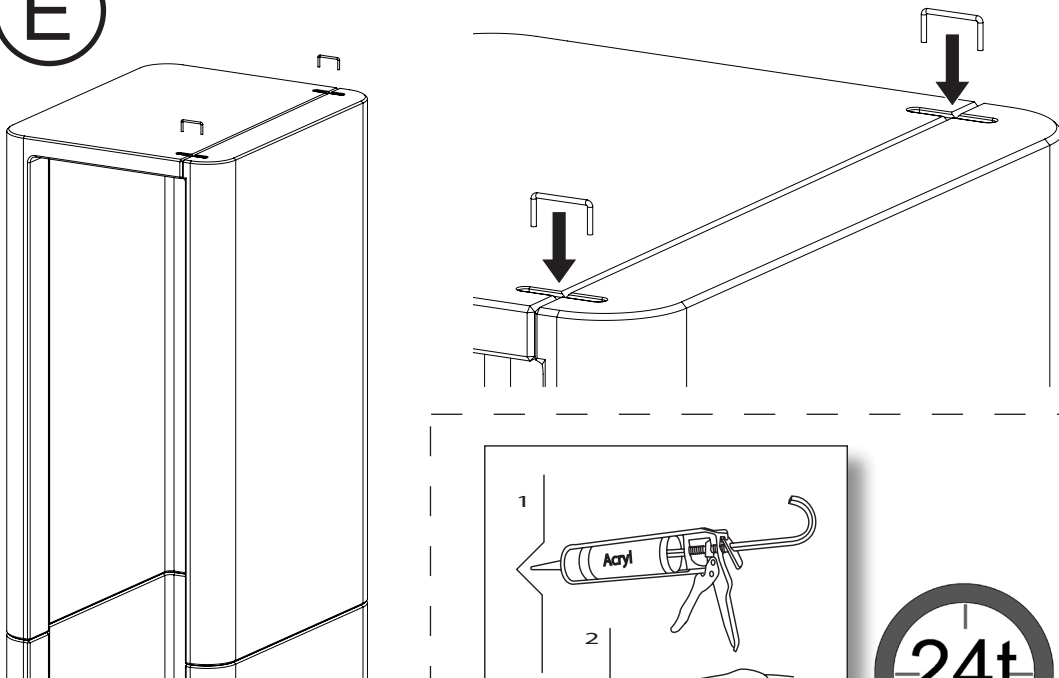
C



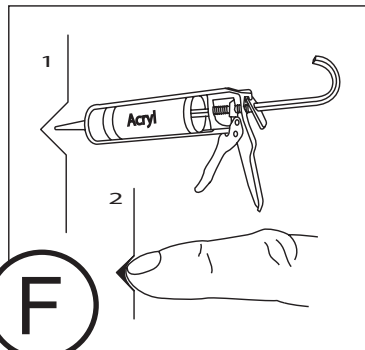
D



E



F



24t

